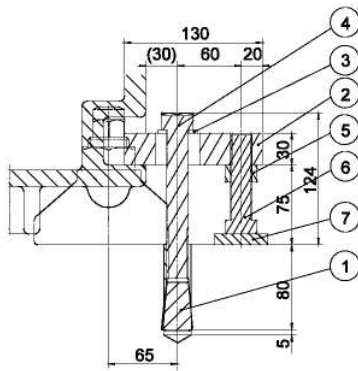
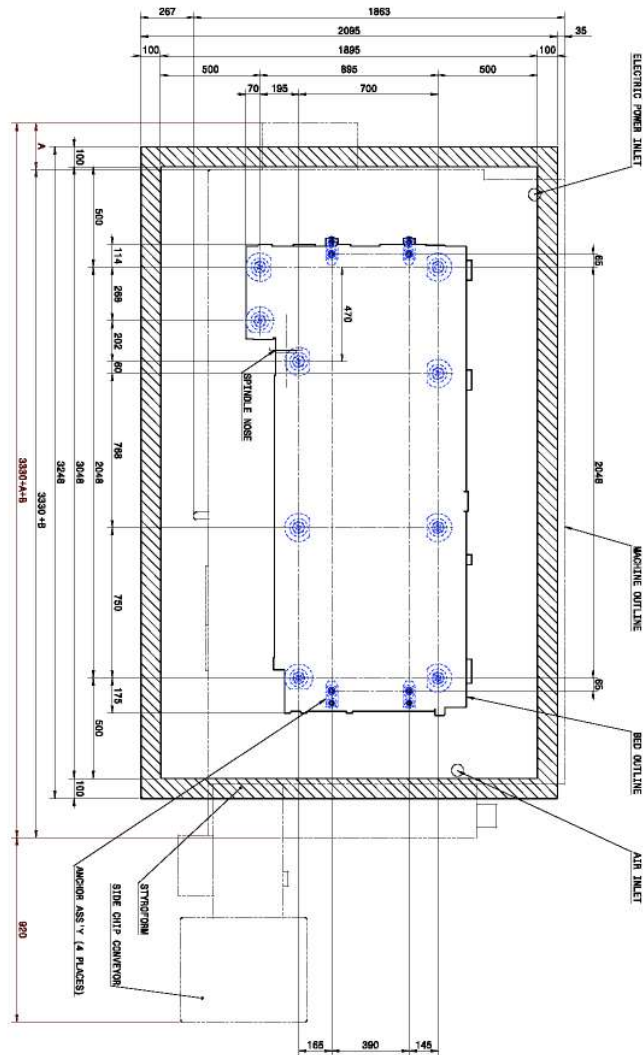


(2) PUMA 2600 (L750)
PUMA 2600/M/S/MS/Y/SY



* Anchor Ass'y(120401-00020)

No.	Part No.	Part Name	Spec.	Q'ty
1	120104-00007	Foundation Bolt	M20(W3/4)	4
2	910902-00030	Block		4
3	S5001101	Plain Washer	ZP20	4
4	S0071551	Bolt, Hex Head	M20X140	4
5	S4001131	Hex. Nut	NA20	4
6	S0028251	Hex. Head Bolt	BAS20X80	4
7	250205-00270	Anchor Plate	Ø50Xt110	4

The lower cover on the left side of machine (near headstock) should be disassembled to screw ④ bolt for the job of left position.