

COMP: RP1
LABEL: P1
QUANTITY: 5
PROFILE: 45x245
MATERIAL: C24



author: * . . .

date:

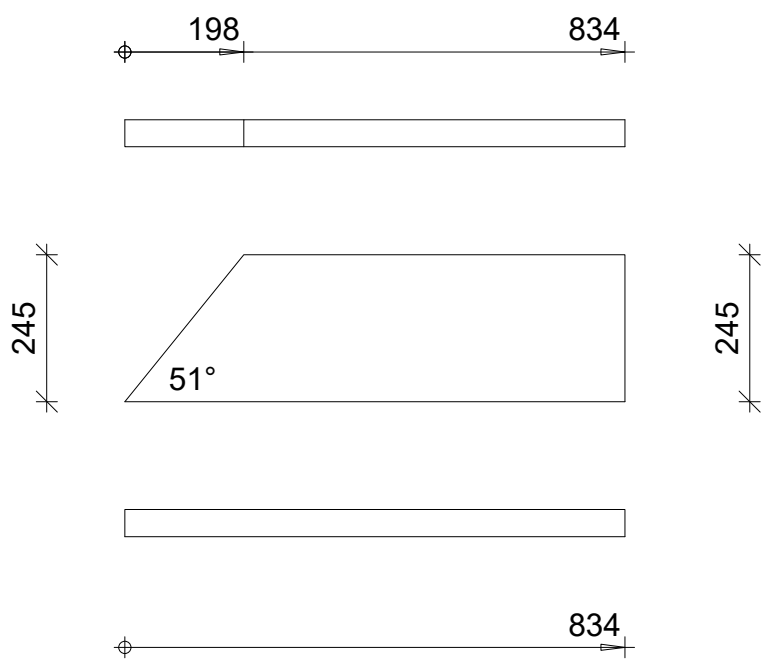
COMP: RP1
LABEL: P2
QUANTITY: 2
PROFILE: 45x245
MATERIAL: C24



author:

date:

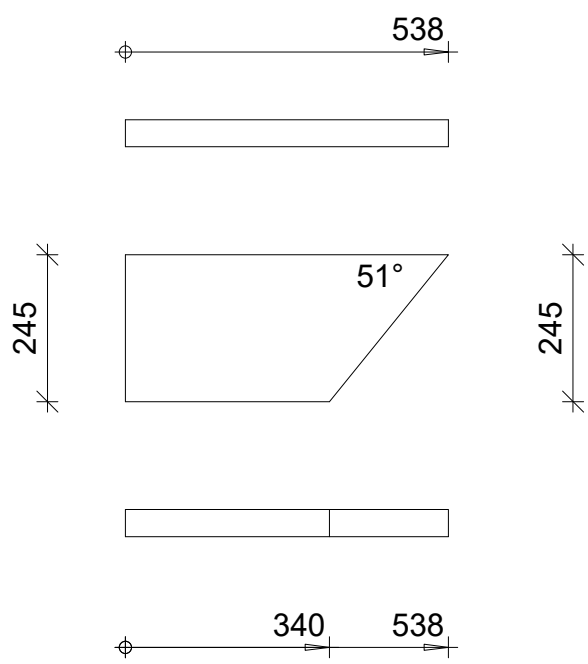
COMP: RP1
LABEL: P4
QUANTITY: 1
PROFILE: 45x245
MATERIAL: C24



author:

date:

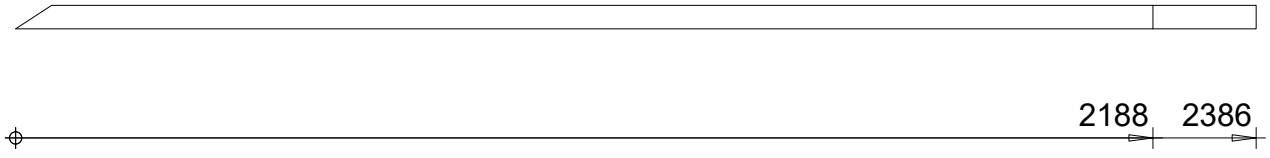
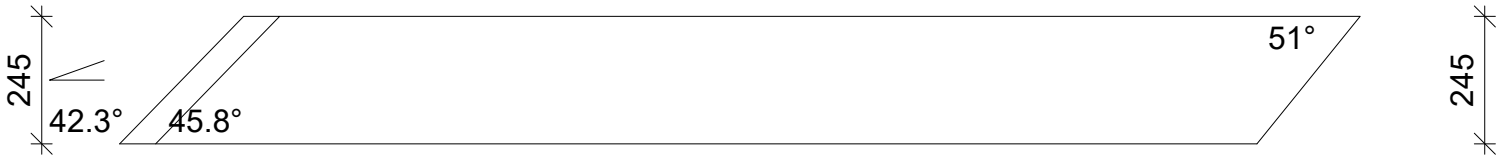
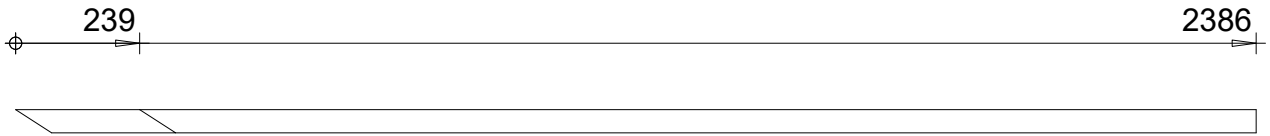
COMP: RP1
LABEL: P5
QUANTITY: 1
PROFILE: 45x245
MATERIAL: C24



author: "

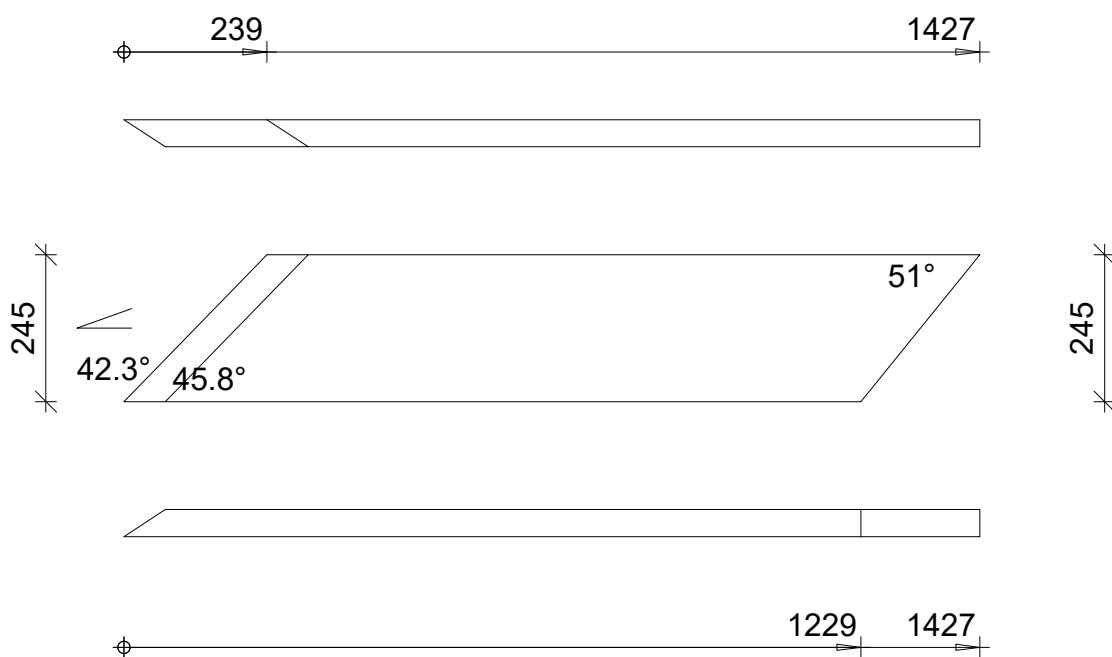
date:

COMP: RP1
LABEL: P6
QUANTITY: 1
PROFILE: 45x245
MATERIAL: C24



author: "	-
date:	

COMP: RP1
LABEL: P7
QUANTITY: 1
PROFILE: 45x245
MATERIAL: C24



author:

date:

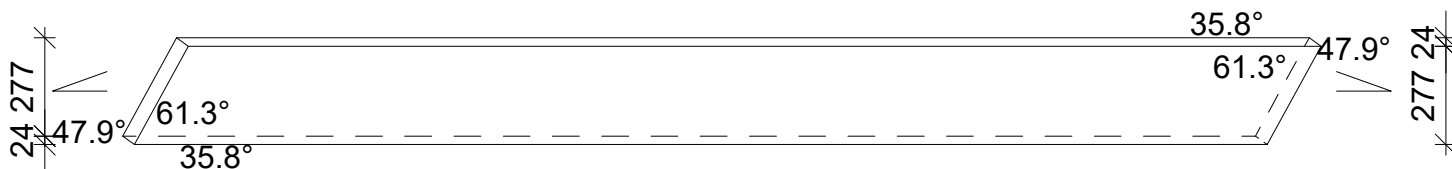
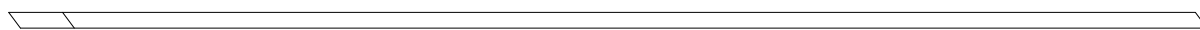
COMP: RP1

LABEL: P8

QUANTITY: 1

PROFILE: 45x400

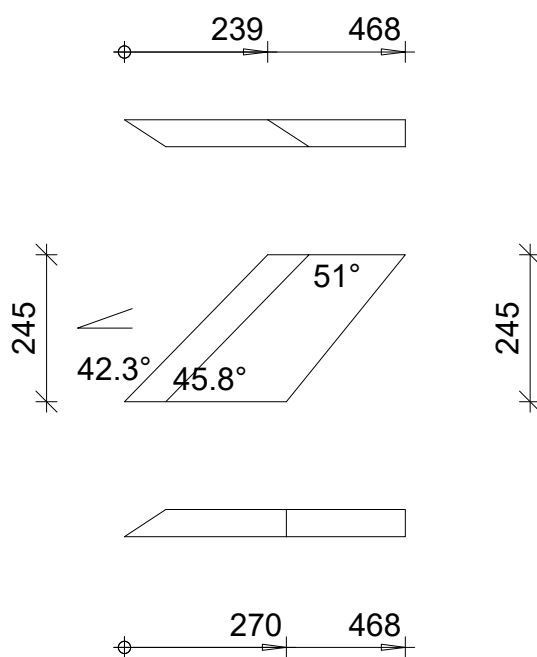
MATERIAL: C24



author: "

date: |

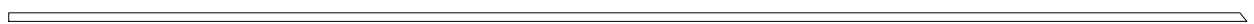
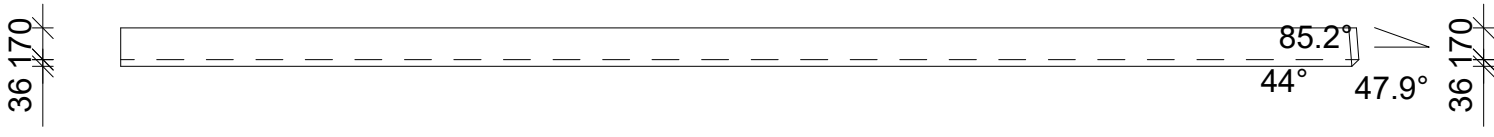
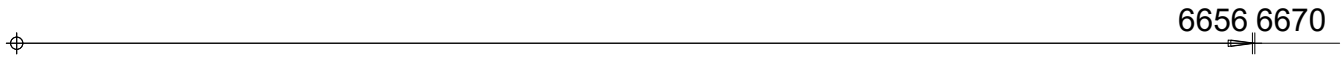
COMP: RP1
LABEL: P9
QUANTITY: 1
PROFILE: 45x245
MATERIAL: C24



author:

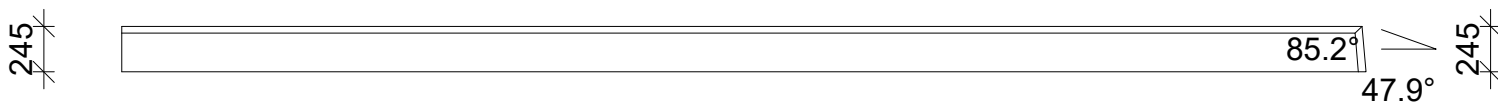
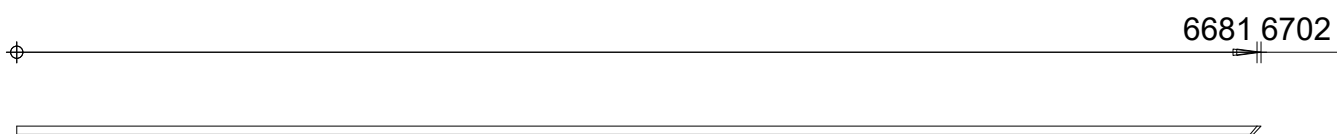
date:

COMP: RP1
LABEL: R10
QUANTITY: 1
PROFILE: 45x245
MATERIAL: C24



author: "	
date:	

COMP: RP1
LABEL: R11
QUANTITY: 1
PROFILE: 45x245
MATERIAL: C24



author:

date:

COMP: RP1

LABEL: R12

QUANTITY: 1

PROFILE: 45x145

MATERIAL: C24

6702 6707



36 70



36 70

6670 6707



author:

date:

COMP: RP1
LABEL: R14
QUANTITY: 1
PROFILE: 45x245
MATERIAL: C24

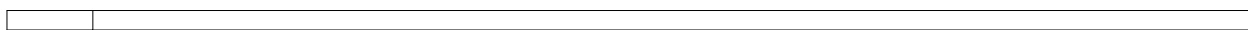


author: * . . .

date:

COMP: RP1
LABEL: R1
QUANTITY: 1
PROFILE: 45x245
MATERIAL: C24

198 2876



245



245



2678 2876

author:

date:

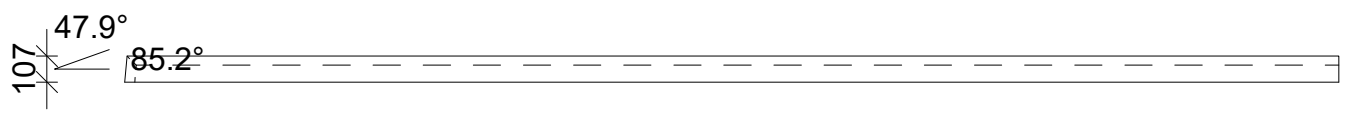
COMP: RP1
LABEL: R2
QUANTITY: 2
PROFILE: 45x245
MATERIAL: C24



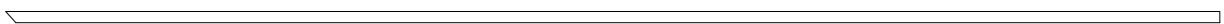
author:

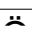

date:

COMP: RP1
LABEL: R6
QUANTITY: 1
PROFILE: 45x145
MATERIAL: C24

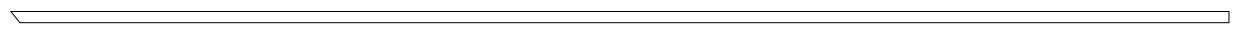
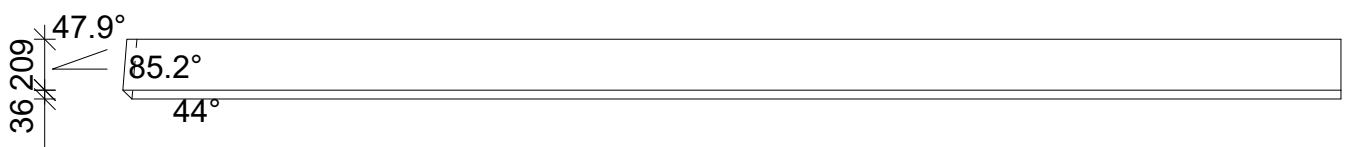


70 36



author:  ...	 . . .
date:	

COMP: RP1
LABEL: R7
QUANTITY: 1
PROFILE: 45x245
MATERIAL: C24



author:	
date:	

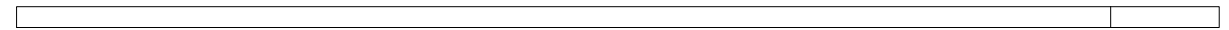
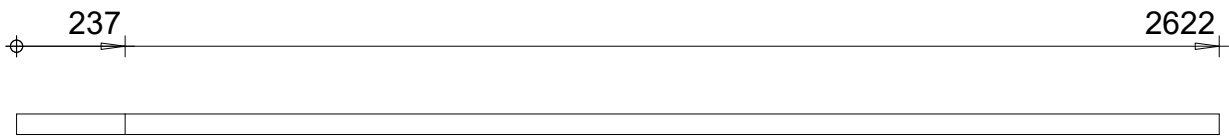
COMP: RP2

LABEL: P1

QUANTITY: 8

PROFILE: 45x245

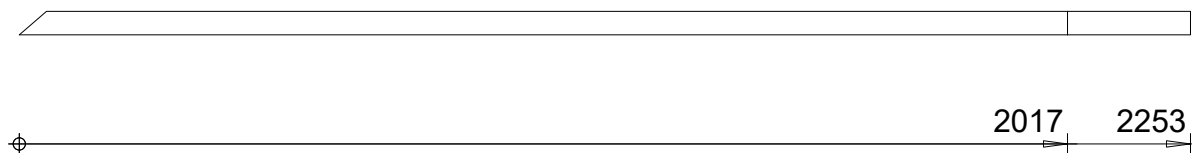
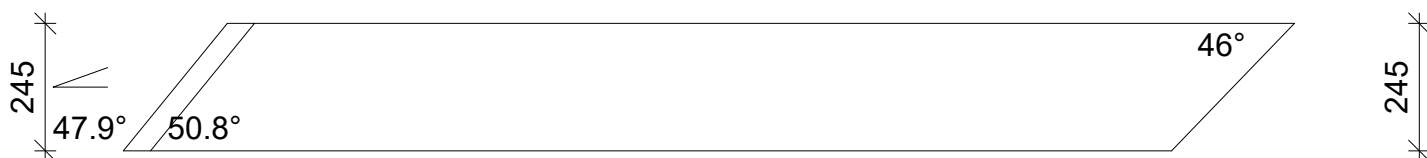
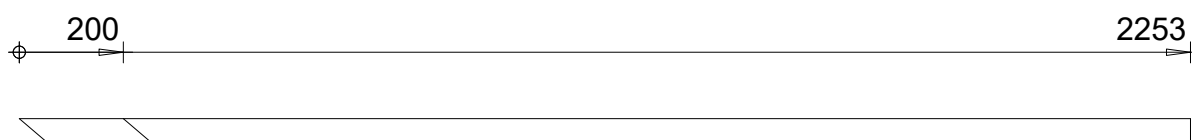
MATERIAL: C24



author:

date:

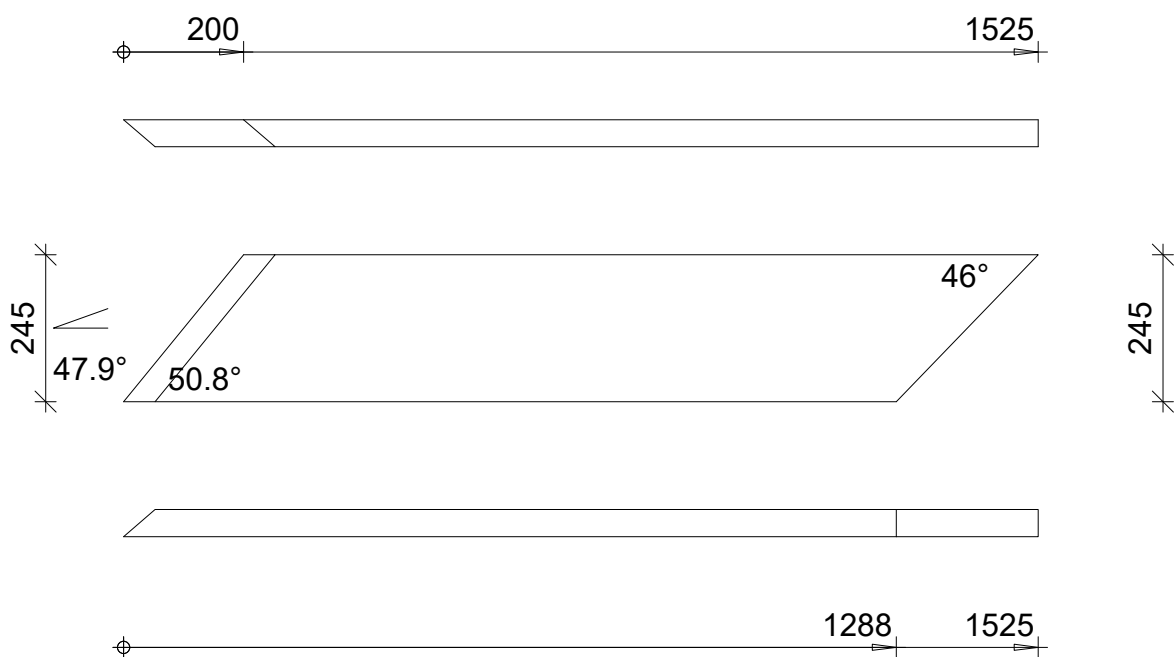
COMP: RP2
LABEL: P2
QUANTITY: 1
PROFILE: 45x245
MATERIAL: C24



author: ..

date:

COMP: RP2
LABEL: P3
QUANTITY: 1
PROFILE: 45x245
MATERIAL: C24



author: ..

date:

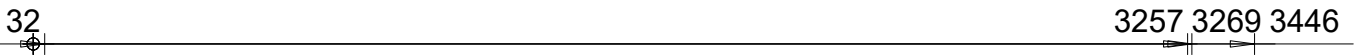
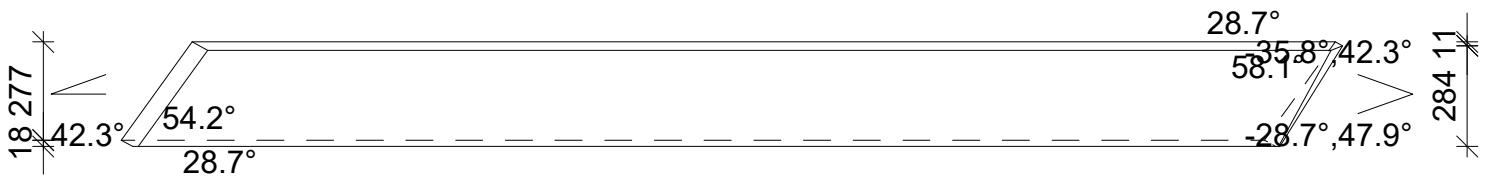
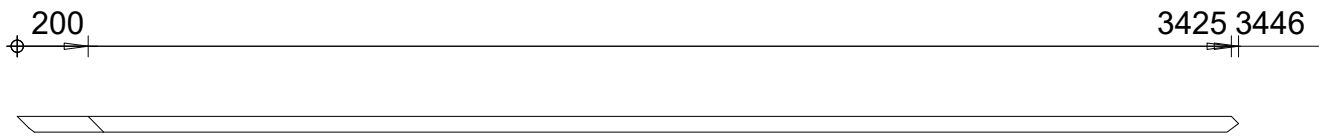
COMP: RP2

LABEL: P4

QUANTITY: 1

PROFILE: 45x295

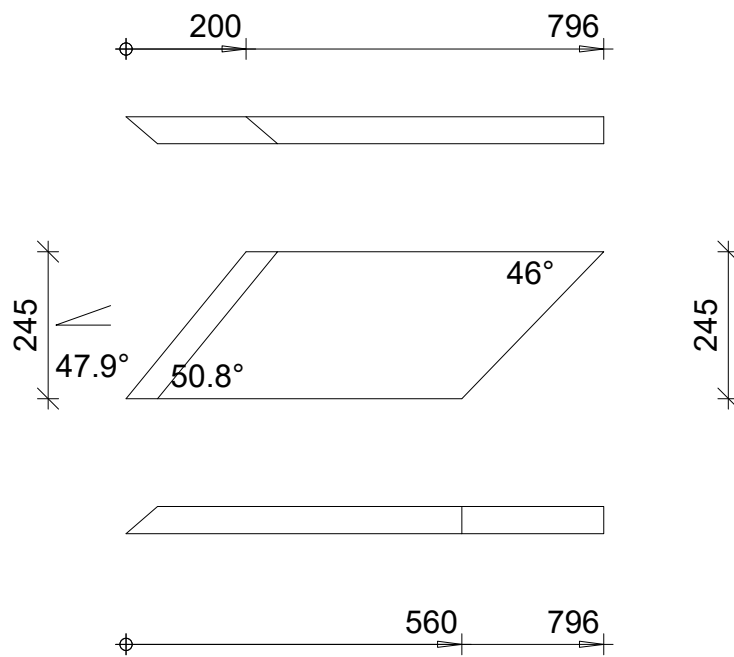
MATERIAL: C24



author:

date:

COMP: RP2
LABEL: P5
QUANTITY: 1
PROFILE: 45x245
MATERIAL: C24



author:

date:

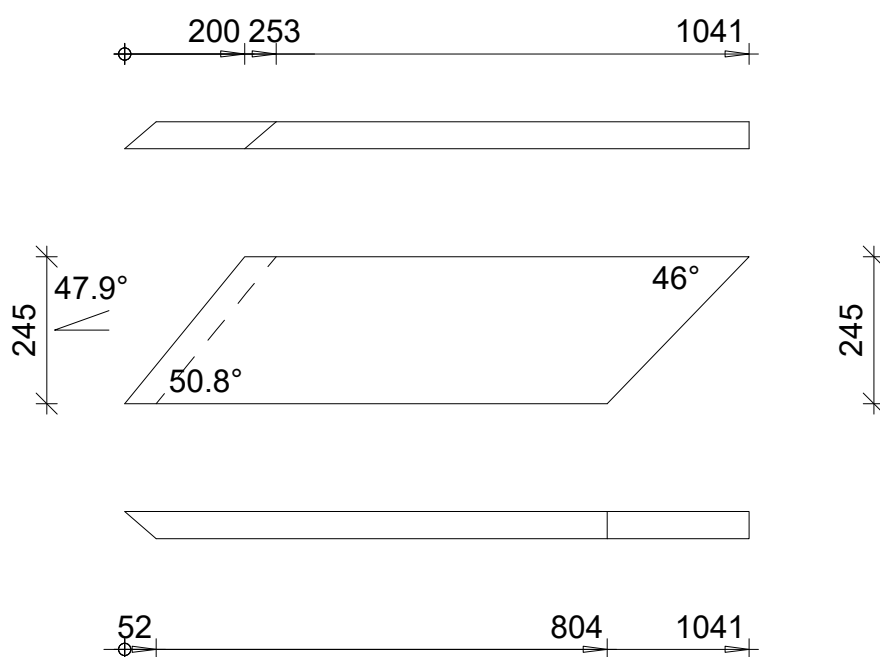
COMP: RP2


LABEL: P6

QUANTITY: 1

PROFILE: 45x245

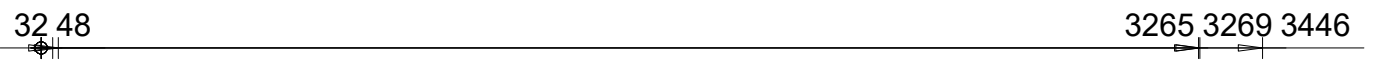
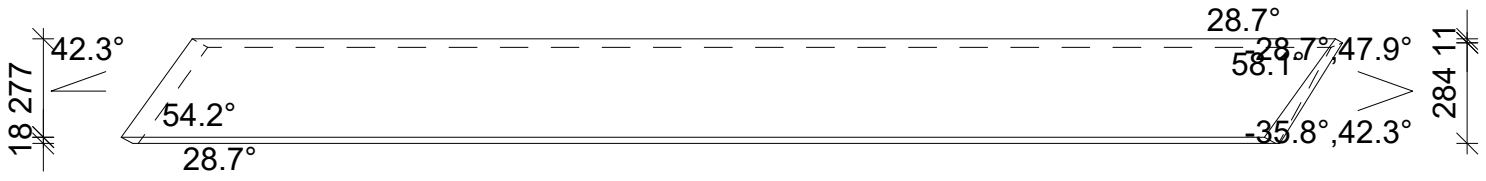
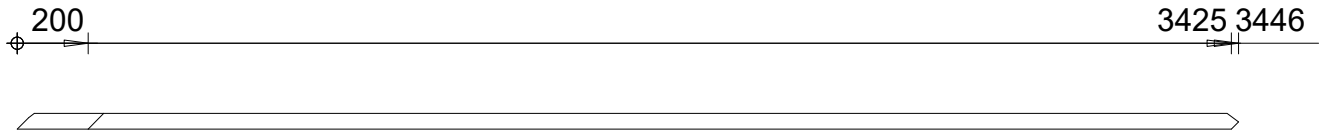
MATERIAL: C24



author:  ...

date:

COMP: RP2
LABEL: P7
QUANTITY: 1
PROFILE: 45x295
MATERIAL: C24



author: ..
date:

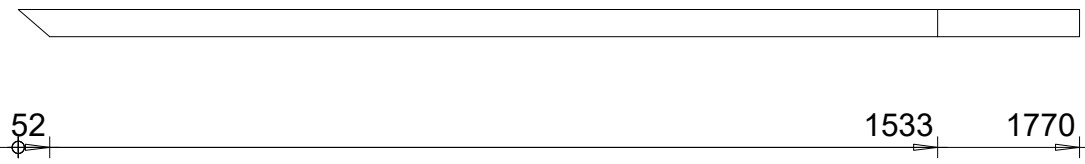
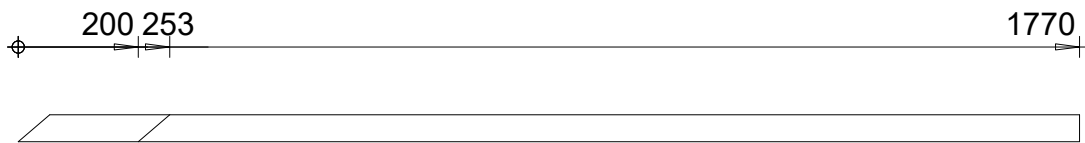
COMP: RP2

LABEL: P8

QUANTITY: 1

PROFILE: 45x245

MATERIAL: C24



author: ..

date:

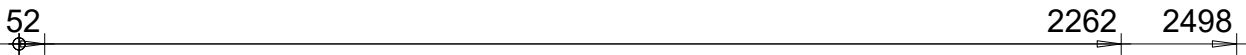
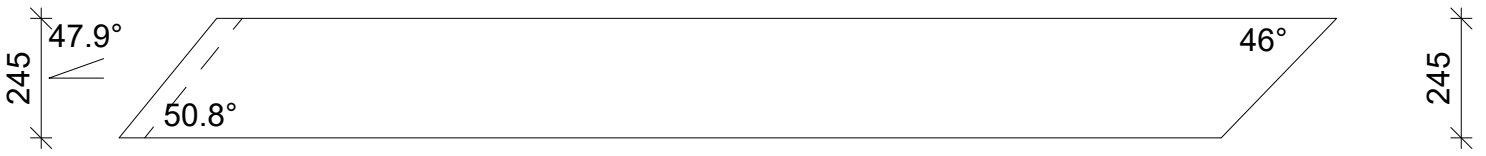
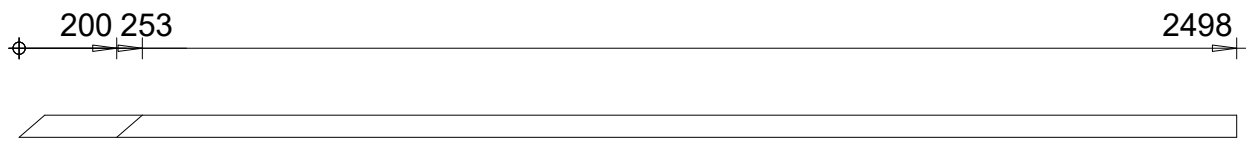
COMP: RP2

LABEL: P9

QUANTITY: 1

PROFILE: 45x245

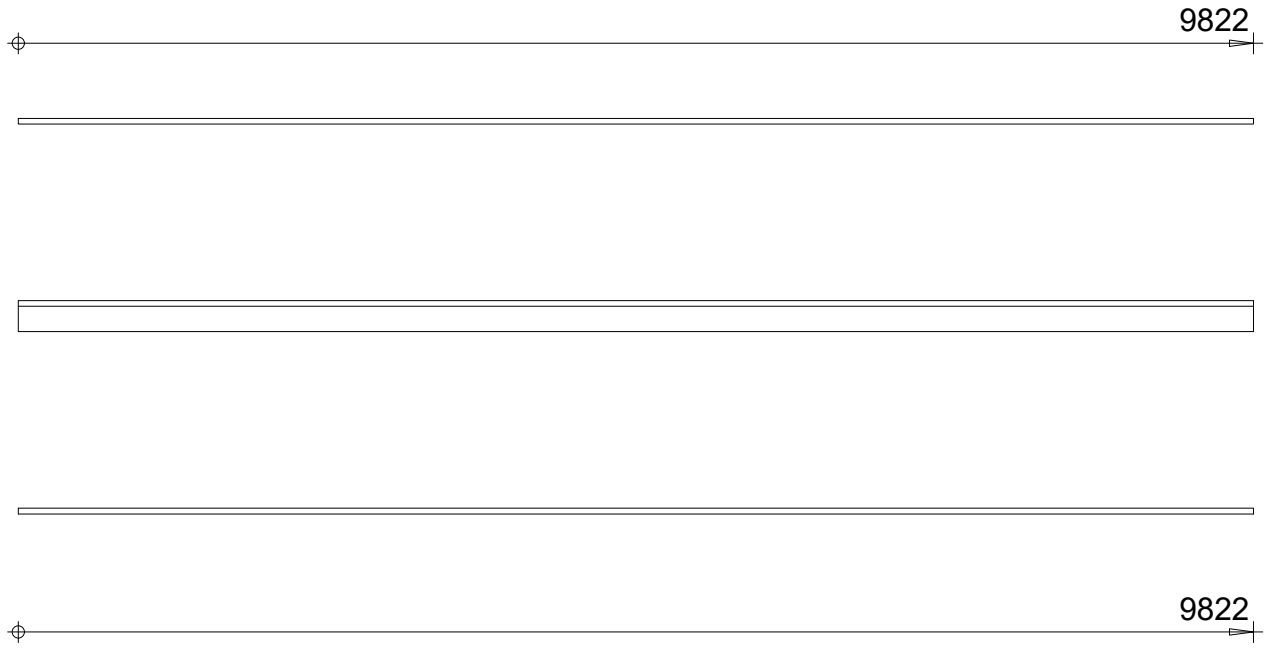
MATERIAL: C24



author:

date:

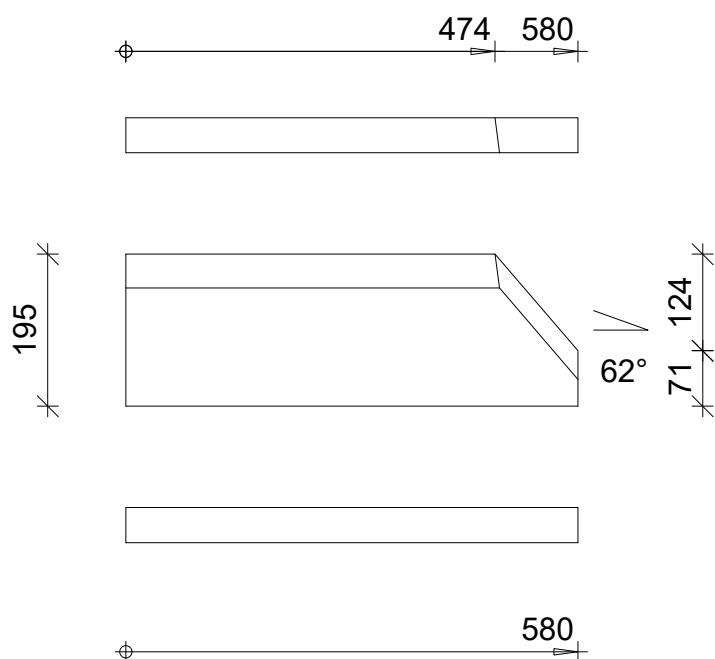
COMP: RP2
LABEL: R10
QUANTITY: 1
PROFILE: 45x245
MATERIAL: C24



author:

date:

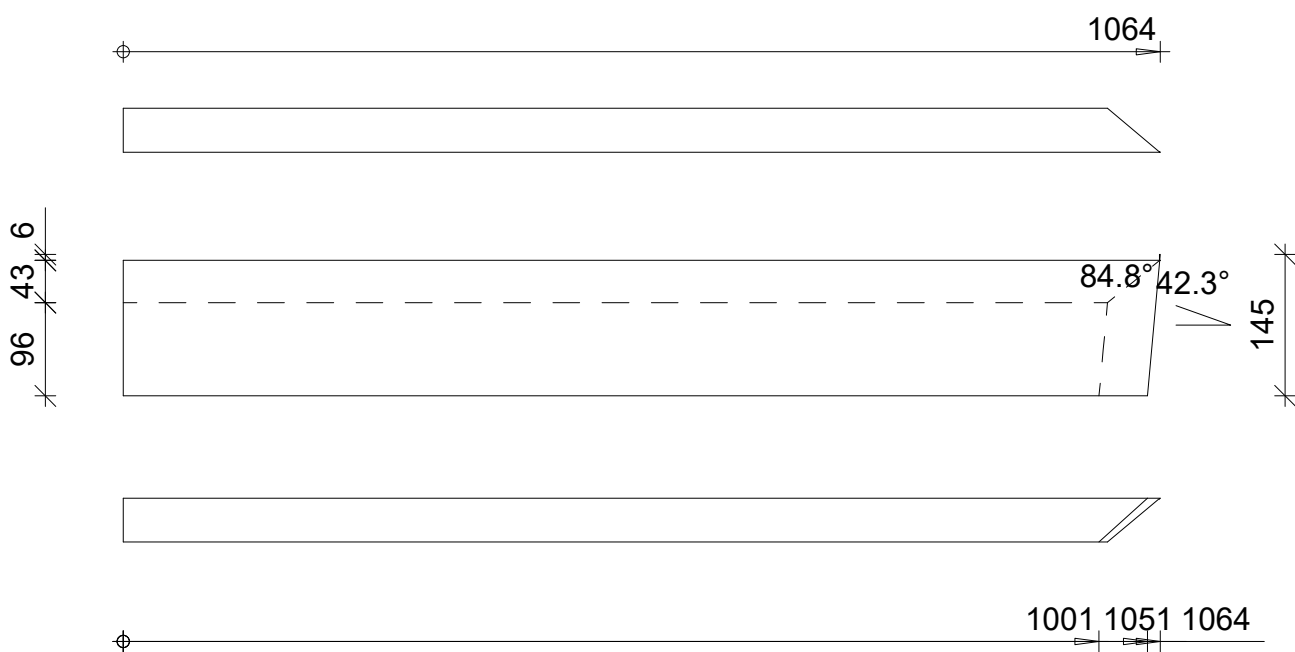
COMP: RP2
LABEL: R11
QUANTITY: 1
PROFILE: 45x195_44
MATERIAL: C24



author:

date:

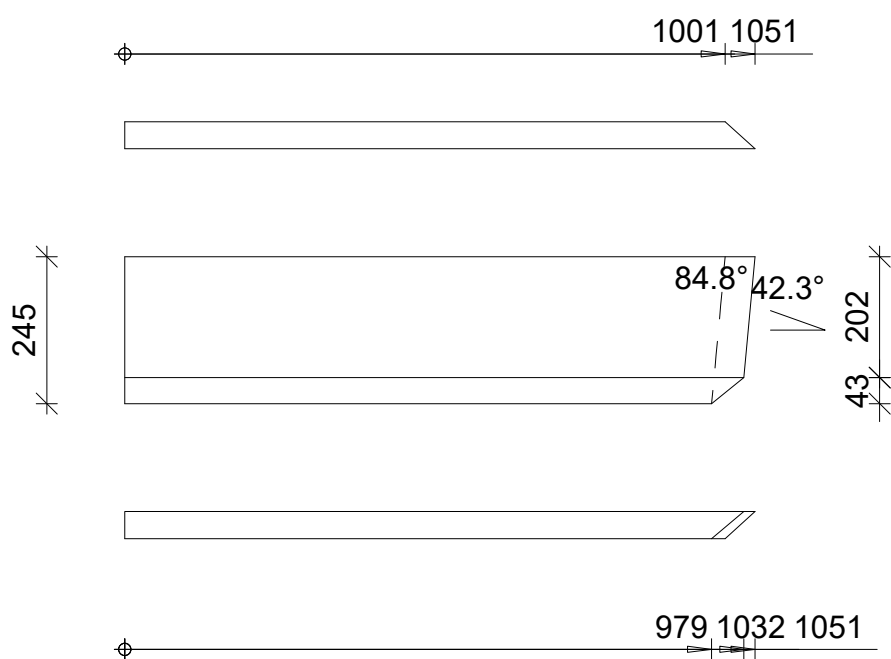
COMP: RP2
LABEL: R12
QUANTITY: 1
PROFILE: 45x145
MATERIAL: C24



author:

date:

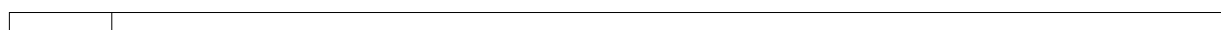
COMP: RP2
LABEL: R13
QUANTITY: 1
PROFILE: 45x245
MATERIAL: C24



author:

date:

COMP: RP2
LABEL: R1
QUANTITY: 2
PROFILE: 45x245
MATERIAL: C24



245



245



author:

date:

COMP: RP2

LABEL: R2

QUANTITY: 2

PROFILE: 45x245

MATERIAL: C24



author: " " " "

date:

COMP: RP2

LABEL: R5

QUANTITY: 1

PROFILE: 45x245

MATERIAL: C24



author:

date:

COMP: RP2
LABEL: R6
QUANTITY: 1
PROFILE: 45x145
MATERIAL: C24

5 4604



13 63 4604

96 43 6

author: "

date:

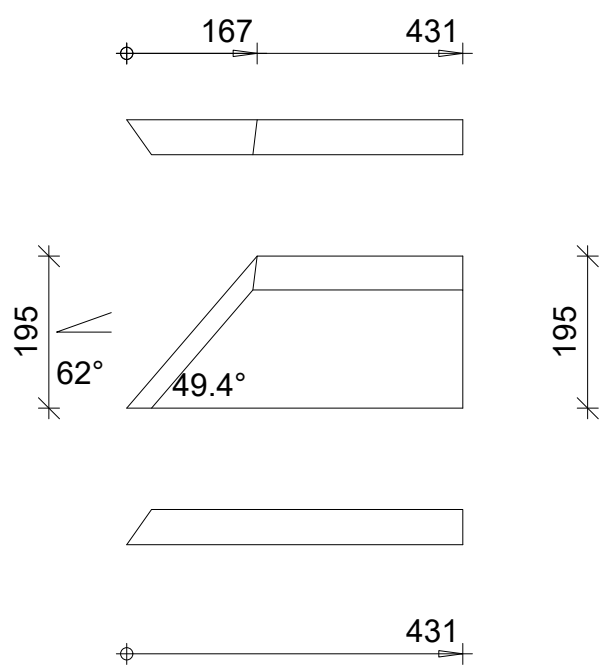
COMP: RP2

LABEL: R7

QUANTITY: 1

PROFILE: 45x195_44

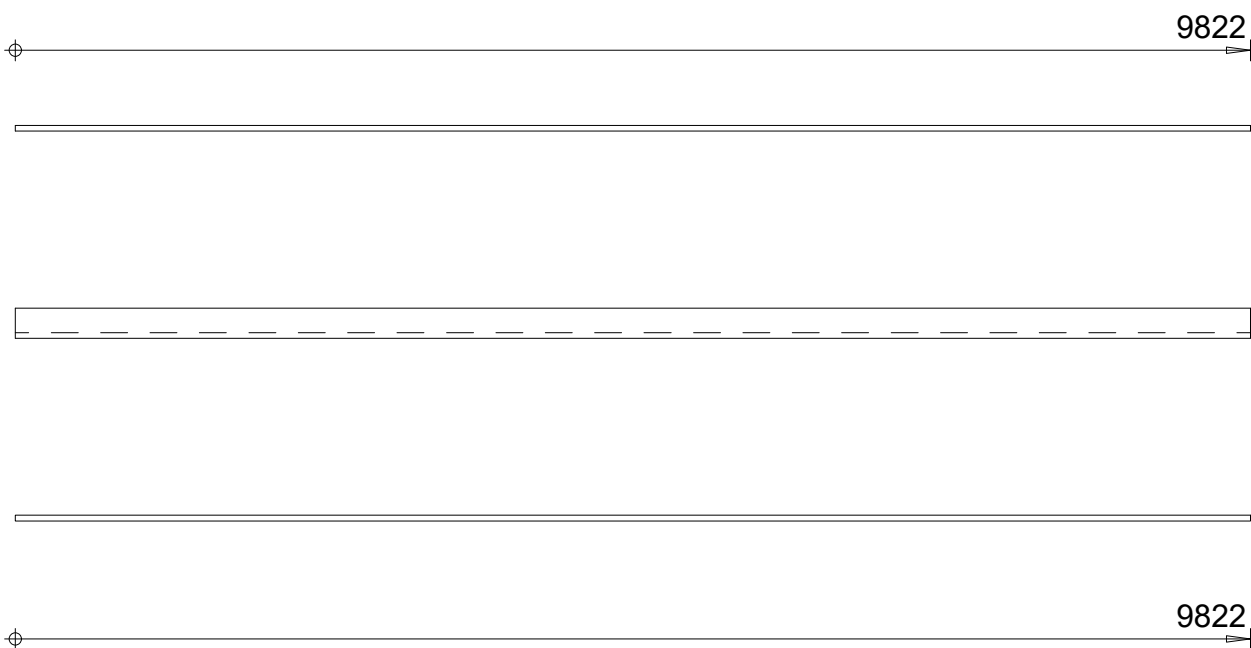
MATERIAL: C24



author: ..

date:

COMP: RP2
LABEL: R8
QUANTITY: 1
PROFILE: 45x245
MATERIAL: C24



author:

date:

COMP: RP2
LABEL: R9
QUANTITY: 1
PROFILE: 45x145
MATERIAL: C24



author:

date:

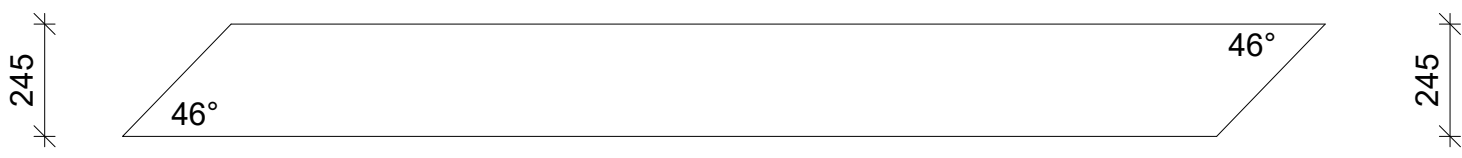
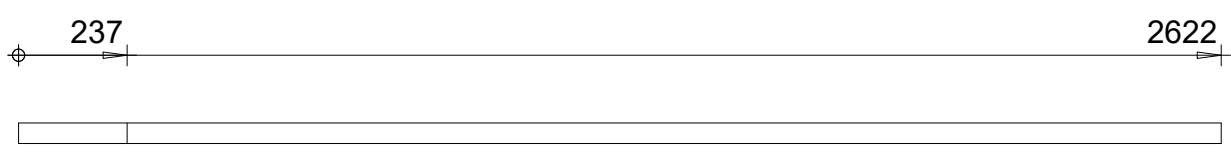
COMP: RP3
LABEL: P1
QUANTITY: 12
PROFILE: 45x245
MATERIAL: C24



author:

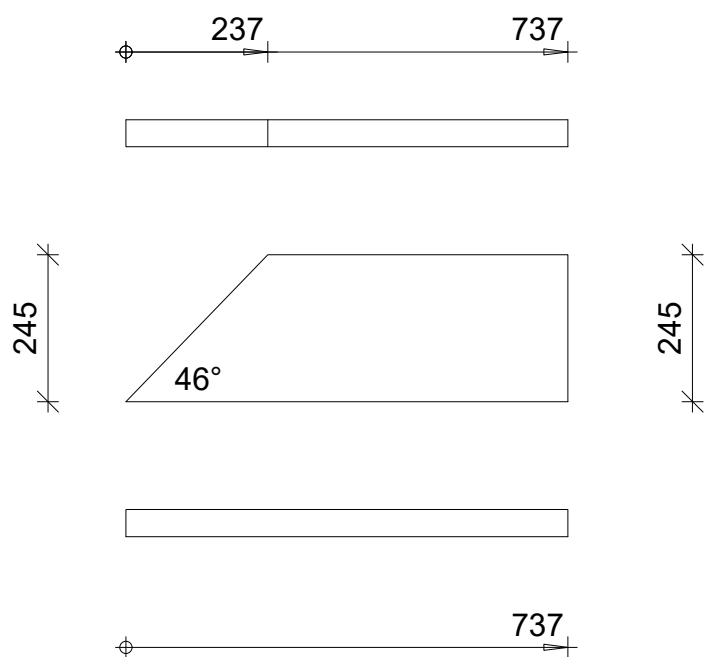
date:

COMP: RP3
LABEL: P2
QUANTITY: 6
PROFILE: 45x245
MATERIAL: C24



author: ..
date:

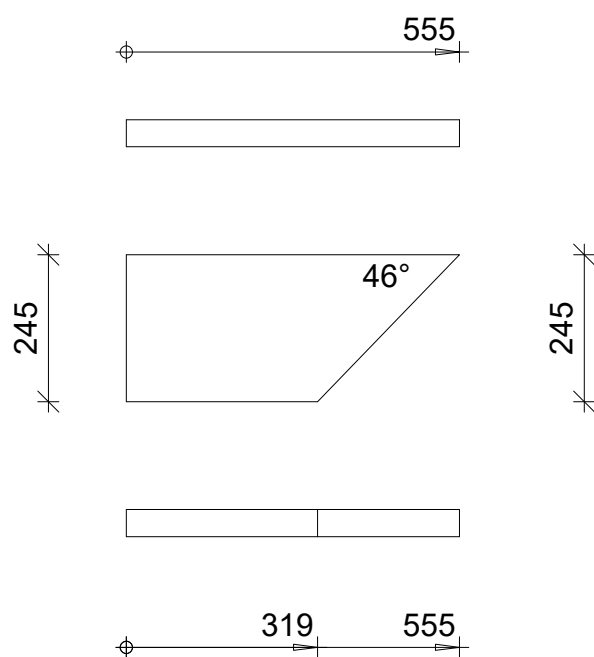
COMP: RP3
LABEL: P3
QUANTITY: 2
PROFILE: 45x245
MATERIAL: C24



author:

date:

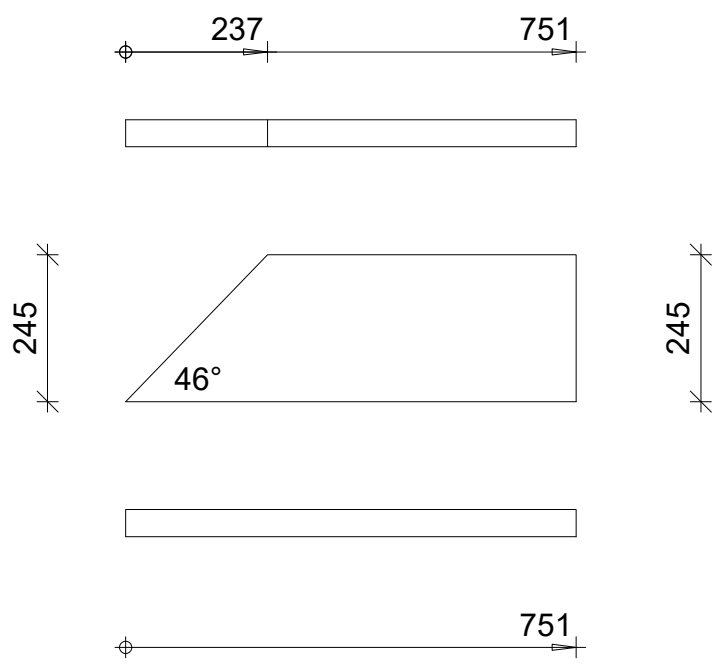
COMP: RP3
LABEL: P4
QUANTITY: 2
PROFILE: 45x245
MATERIAL: C24



author:

date:

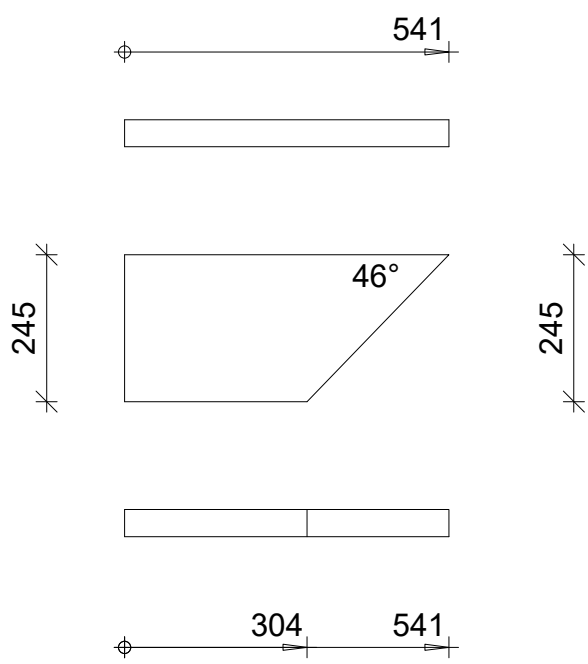
COMP: RP3
LABEL: P6
QUANTITY: 1
PROFILE: 45x245
MATERIAL: C24



author:

date:

COMP: RP3
LABEL: P7
QUANTITY: 1
PROFILE: 45x245
MATERIAL: C24



author:

date:

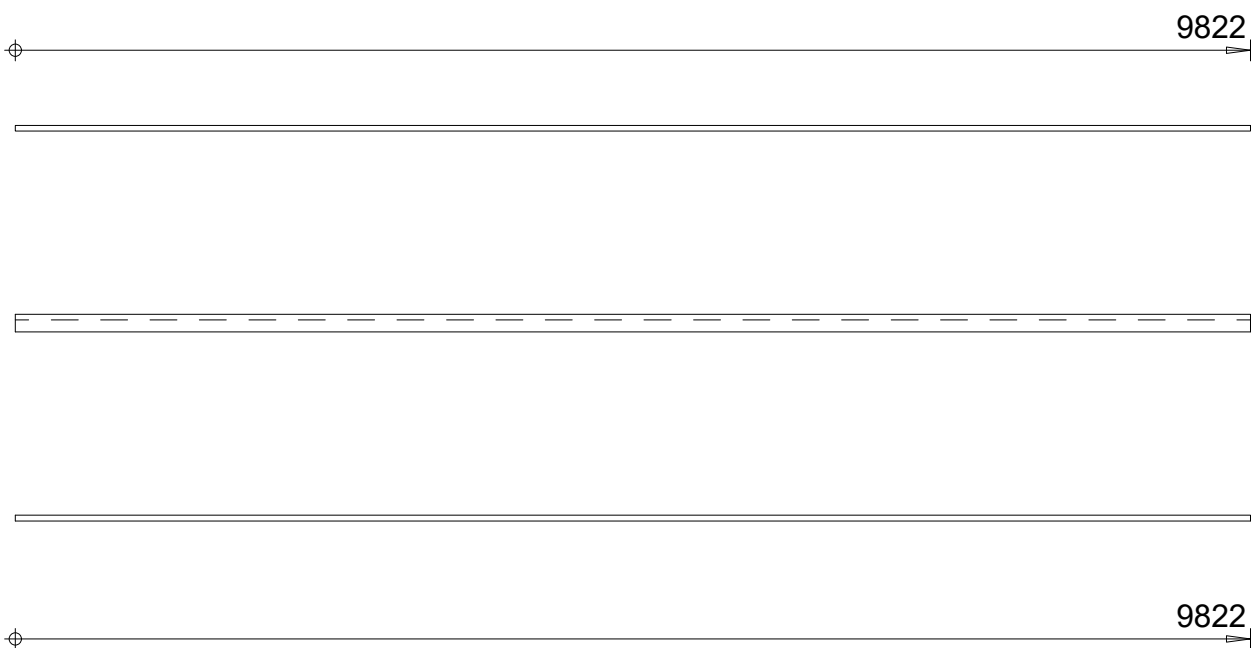
COMP: RP3
LABEL: R13
QUANTITY: 1
PROFILE: 45x245
MATERIAL: C24



author:

date:

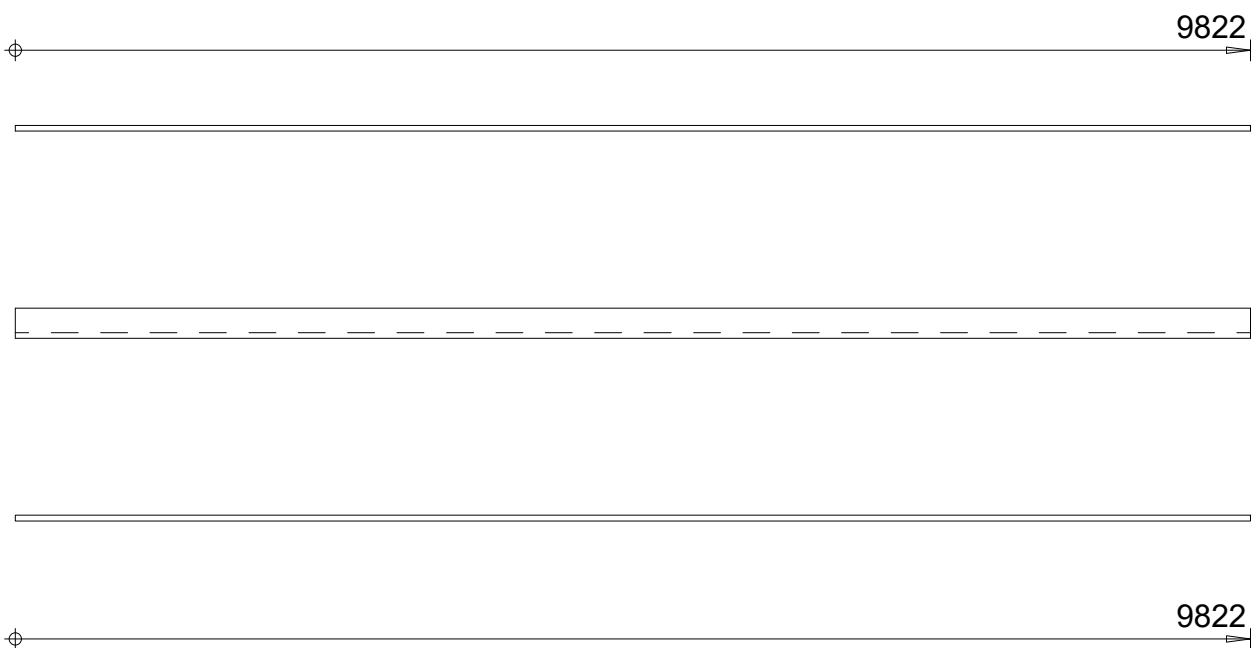
COMP: RP3
LABEL: R14
QUANTITY: 1
PROFILE: 45x145
MATERIAL: C24



author:

date:

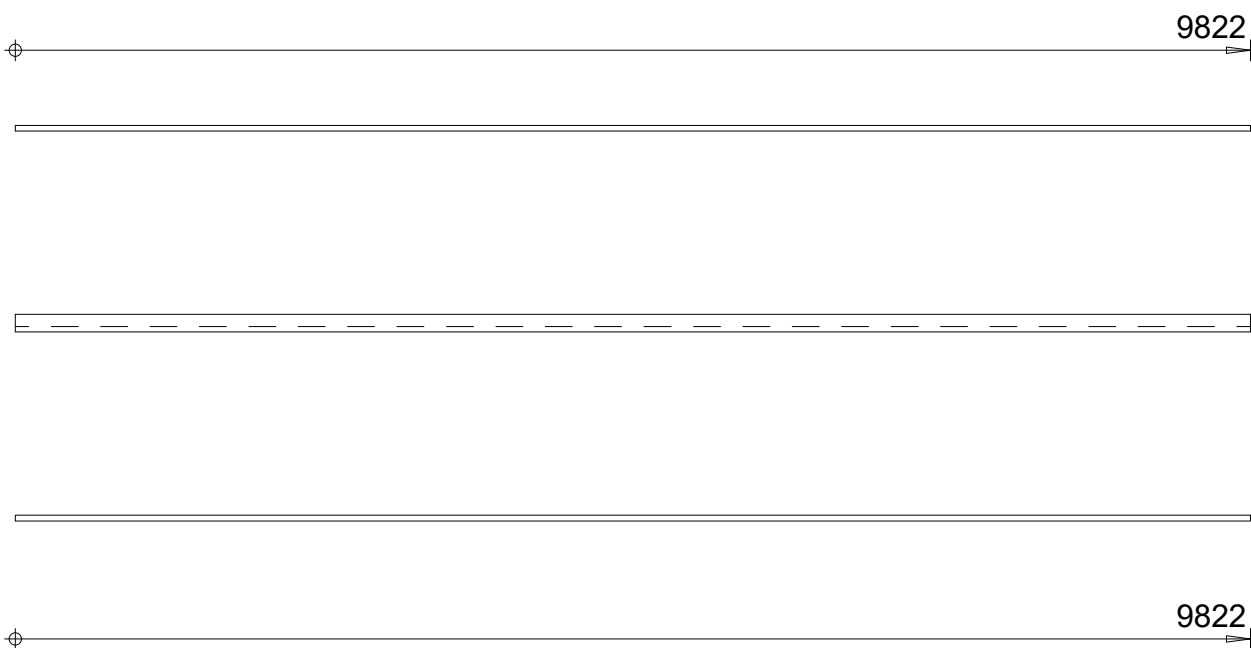
COMP: RP3
LABEL: R15
QUANTITY: 1
PROFILE: 45x245
MATERIAL: C24



author:

date:

COMP: RP3
LABEL: R16
QUANTITY: 1
PROFILE: 45x145
MATERIAL: C24



author:

date:

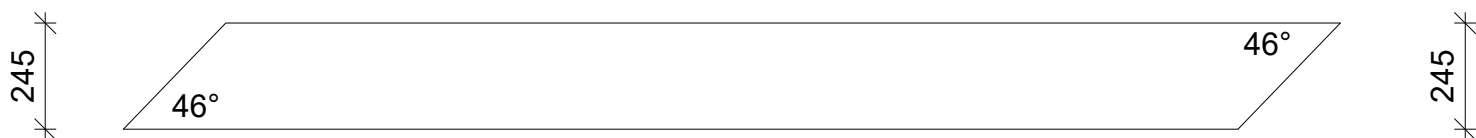
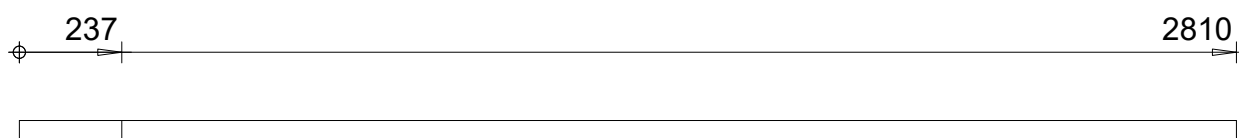
COMP: RP3
LABEL: R17
QUANTITY: 1
PROFILE: 45x245
MATERIAL: C24



author:

date:

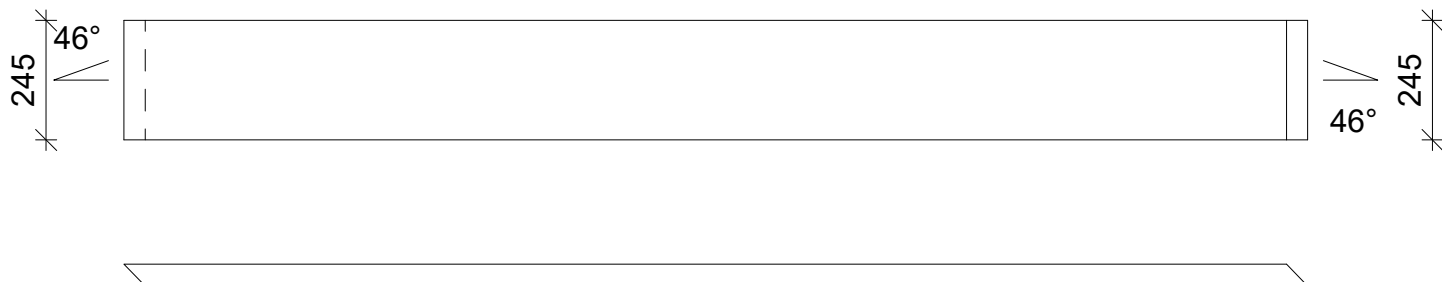
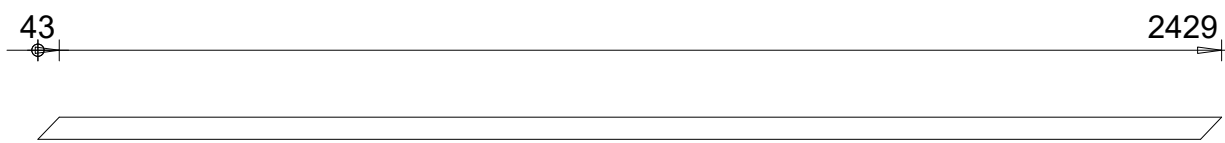
COMP: RP3
LABEL: R1
QUANTITY: 2
PROFILE: 45x245
MATERIAL: C24



author:

date:

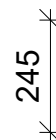
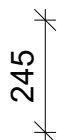
COMP: RP3
LABEL: R2
QUANTITY: 2
PROFILE: 45x245
MATERIAL: C24



author:

date:

COMP: RP4
LABEL: P1
QUANTITY: 7
PROFILE: 45x245
MATERIAL: C24



author:

date:

COMP: RP4

LABEL: P2

QUANTITY: 1

PROFILE: 45x245

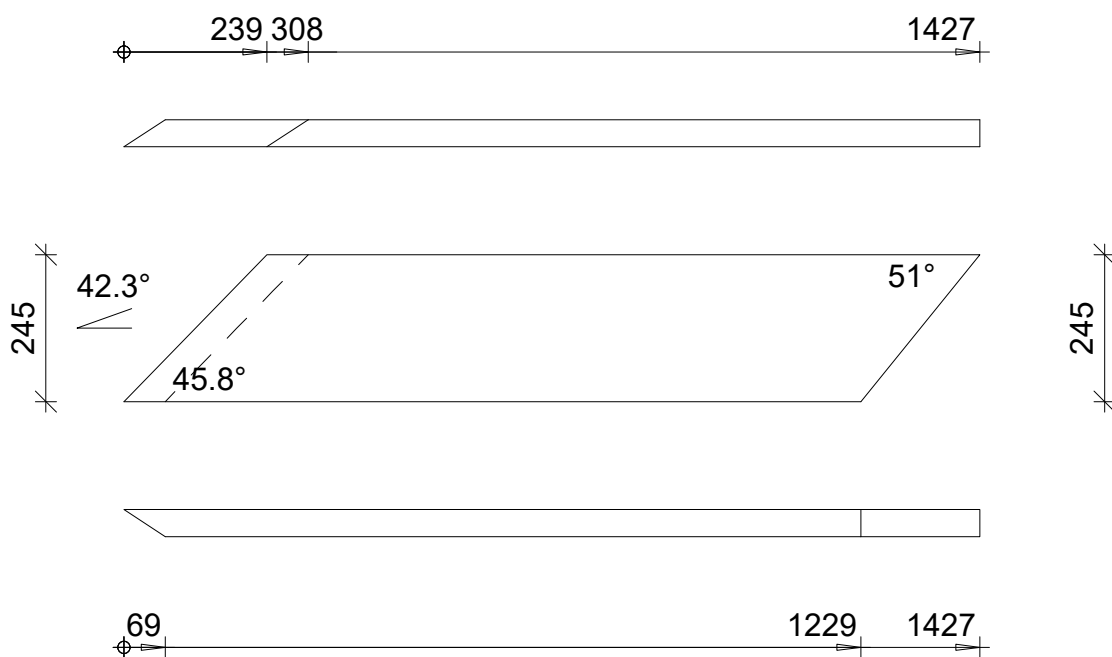
MATERIAL: C24



author:

date:

COMP: RP4
LABEL: P3
QUANTITY: 1
PROFILE: 45x245
MATERIAL: C24



author:

date:

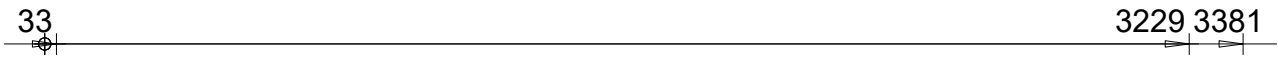
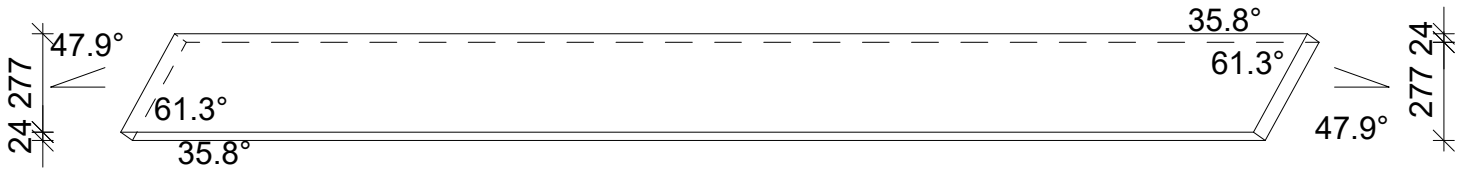
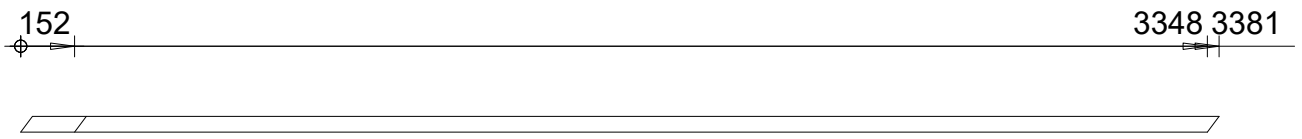
COMP: RP4

LABEL: P4

QUANTITY: 1

PROFILE: 45x400

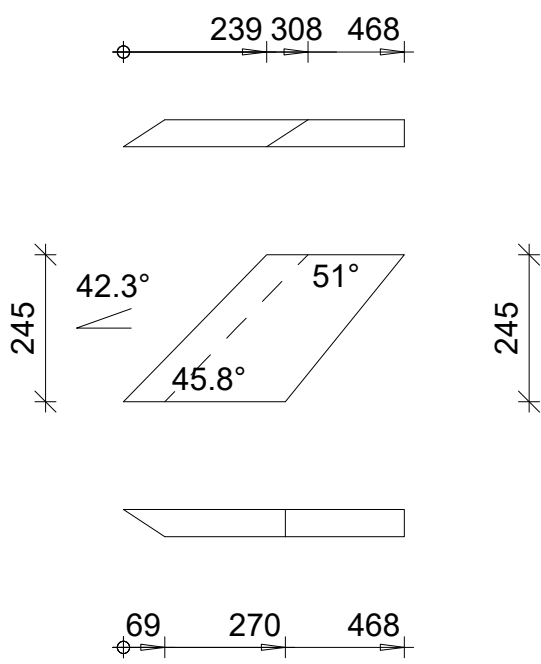
MATERIAL: C24



author:

date:

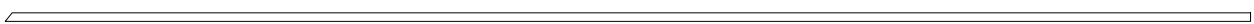
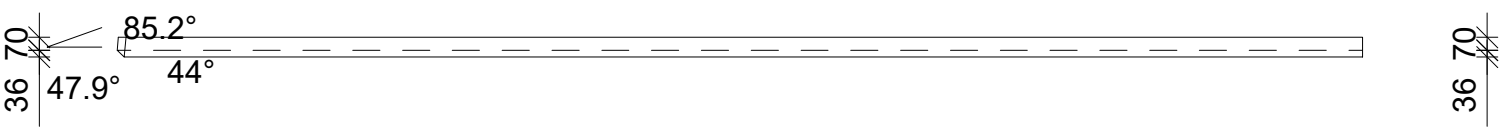
COMP: RP4
LABEL: P5
QUANTITY: 1
PROFILE: 45x245
MATERIAL: C24



author:

date:

COMP: RP4
LABEL: R10
QUANTITY: 1
PROFILE: 45x145
MATERIAL: C24



author:

date:

COMP: RP4

LABEL: R12

QUANTITY: 1

PROFILE: 45x245

MATERIAL: C24

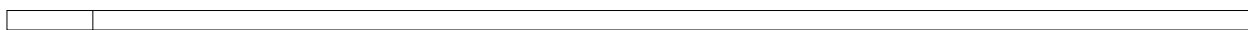


author:

date:

COMP: RP4
LABEL: R1
QUANTITY: 1
PROFILE: 45x245
MATERIAL: C24

198 2876



245



245



2678 2876

author:

date:

COMP: RP4

LABEL: R2

QUANTITY: 2

PROFILE: 45x245

MATERIAL: C24



author:

date:

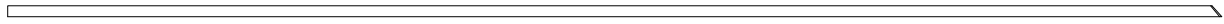
COMP: RP4

LABEL: R6

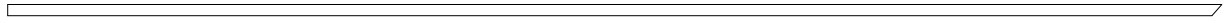
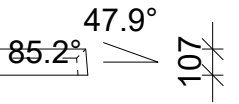
QUANTITY: 1

PROFILE: 45x145

MATERIAL: C24



70 36



author:

date:

COMP: RP4

LABEL: R7

QUANTITY: 1

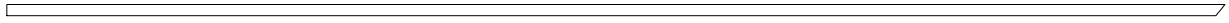
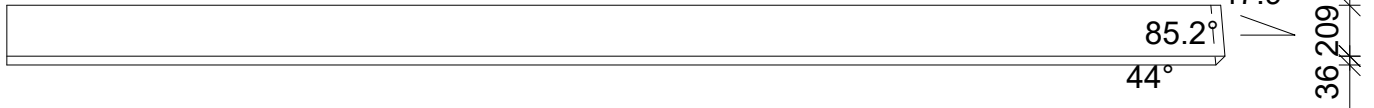
PROFILE: 45x245

MATERIAL: C24

4942 4983 5000



245



4962 5000

author:

date:

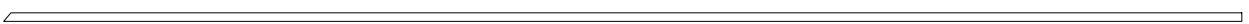
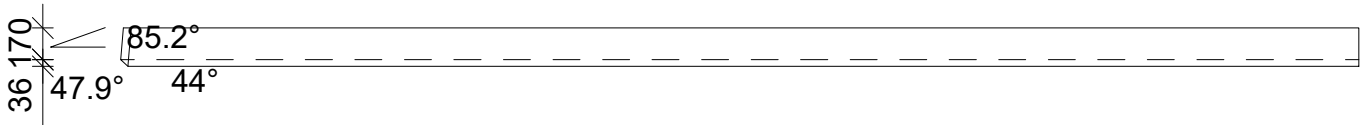
COMP: RP4

LABEL: R8

QUANTITY: 1

PROFILE: 45x245

MATERIAL: C24



author:

date:

COMP: RP4

LABEL: R9

QUANTITY: 1

PROFILE: 45x245

MATERIAL: C24

20

6702

245
47.9°

85.2°

245

6702

author:

date: