

PANELO INSTALLATION GUIDE

1. Unloading and storing

Stack the panels in a way that they do not contact ground. If possible then stack in accordance with the installation order. Use tarpaulin to cover the panels from direct rain. Tarpaulin is included with the shipment. Check also point **7. tools & equipment needed for installation**

2. Check foundation (if not with PANELO floor panels)

- a. Foundation must be monolite concrete with the min height of 150 mm and min wideness of 220 mm (same as sole plate or wider)
- b. Geometry of foundation
 - Deviation (difference) between diagonals can be max $\pm 0,3\%$ from the length of the diagonal (for example: 3 cm to 10 m)
 - Levelness of the foundation cannot be more than $\pm 0,2\%$ to 3 meters (for example: 6 mm to 3 m)

3. Installation of sole plate

- a. Place the layer of vapor barrier on the foundation before positioning the sole plate.
- b. Place the sole plate as shown in „Sole plate installation guide“.

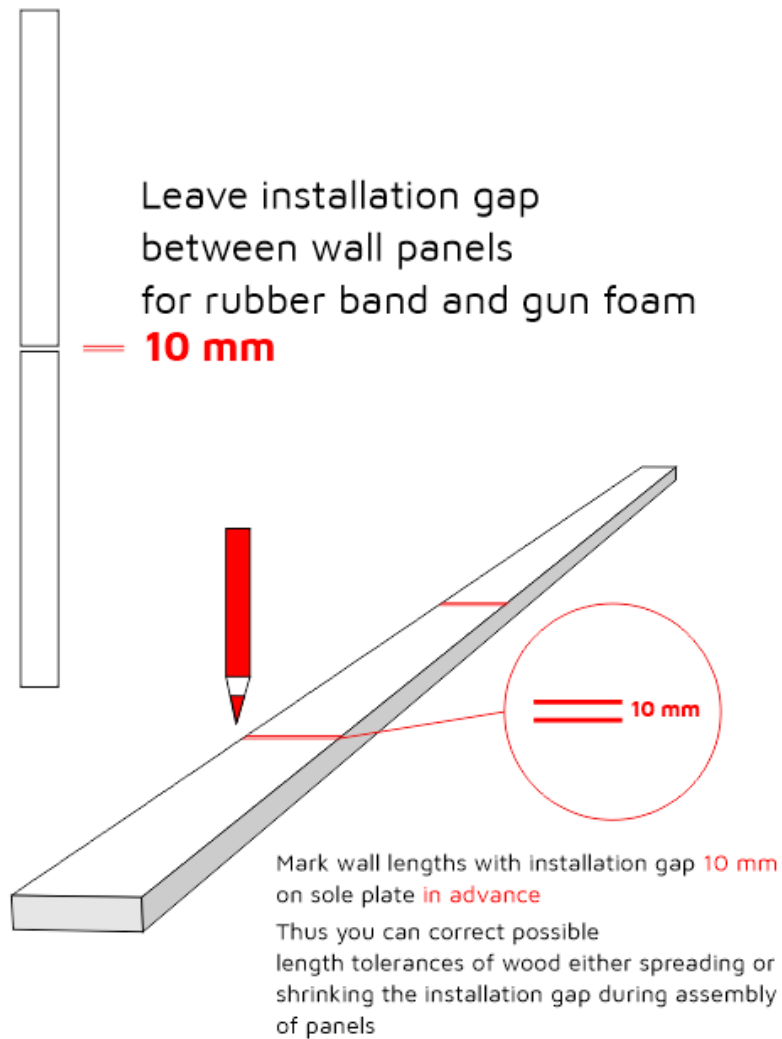
4. Installation of PANELO walls

- a. Mark panel lengths on sole plate (look at the drawing below)

PANELO

wall panel installation on sole plate

Wall panels view from top



b. Add sealants

Version A – with glue and PU gun-foam (drawing below)

Version B – with rubber sealing ribbon and PU gun-foam (drawing below)

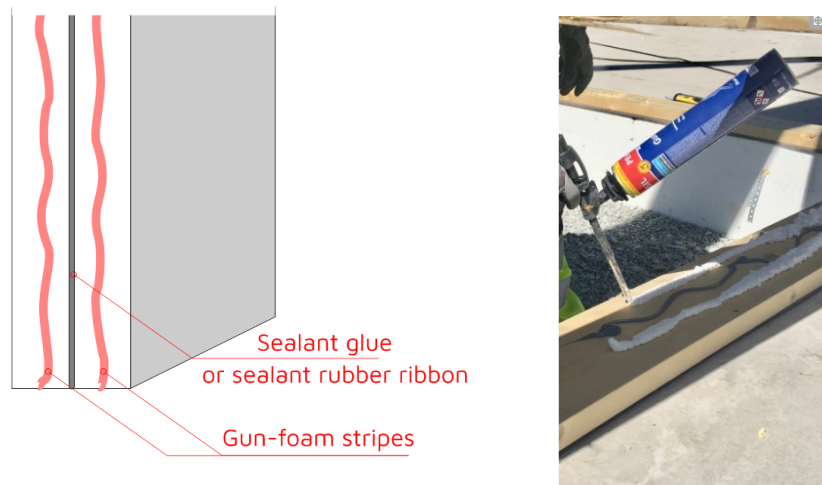
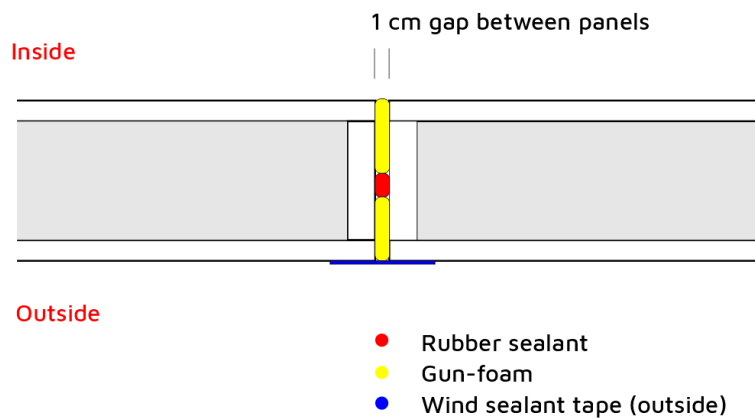


Illustration for adding glue and gun-foam between panel connections

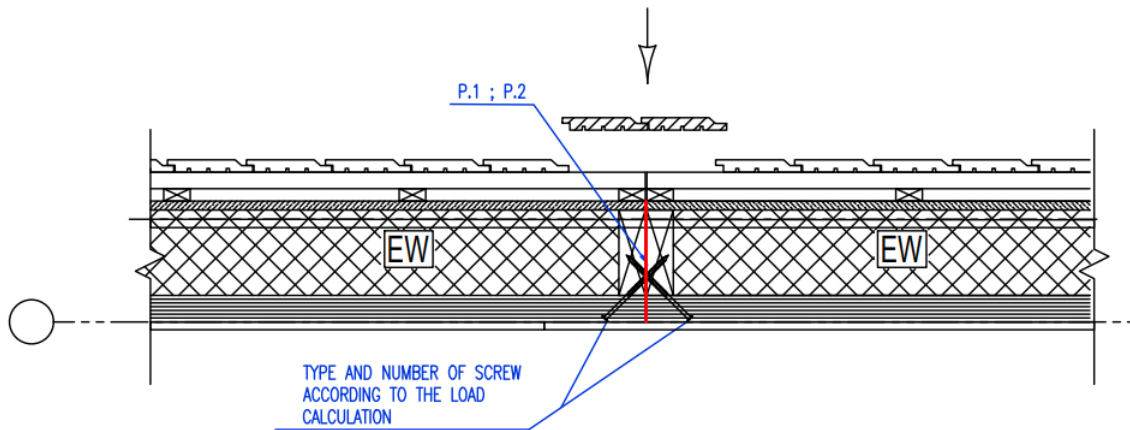
WALL PANEL CONNECTIONS - SEALING (view from top)



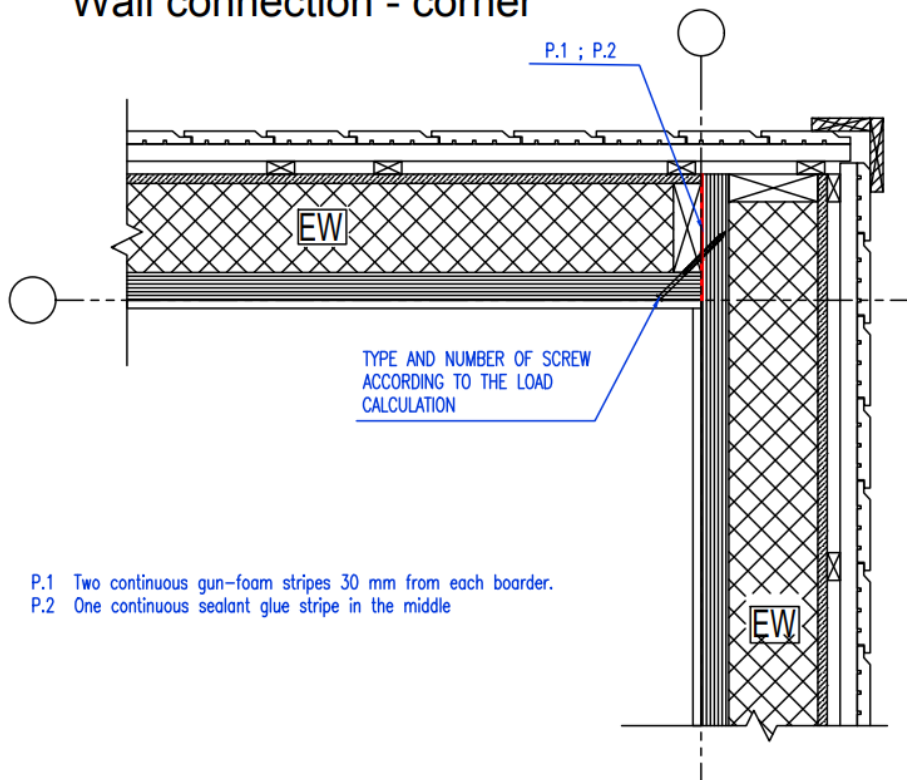
c. Place the wall panels according to the panel drawing. All panels are numbered.

d. Fix panels with screws and fixing details as shown in statics.

Wall connections from side



Wall connection - corner



- P.1 Two continuous gun-foam stripes 30 mm from each boarder.
- P.2 One continuous sealant glue stripe in the middle

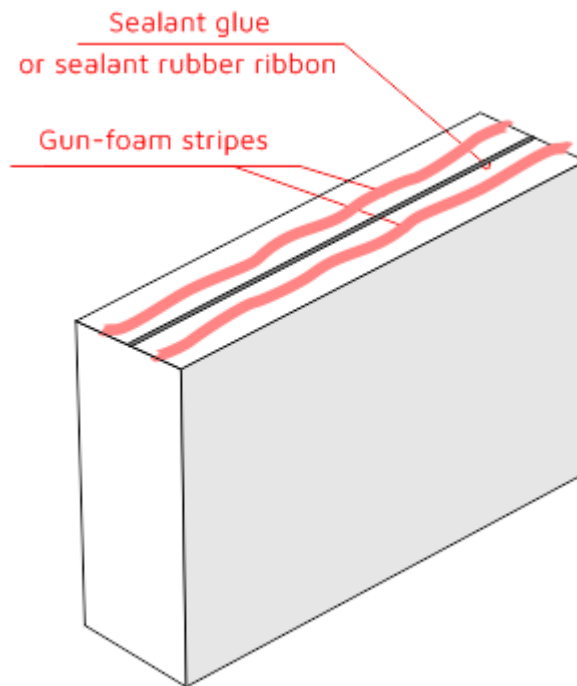
5. Installation of roof

- a. **Version A** – with wool sealing ribbon.

Place the layer of wool ribbon between wall and roof panel connections. Product like ISOVER SK-C 20x200 mm or such.

Version B – with glue and PU gun-foam (drawing below)

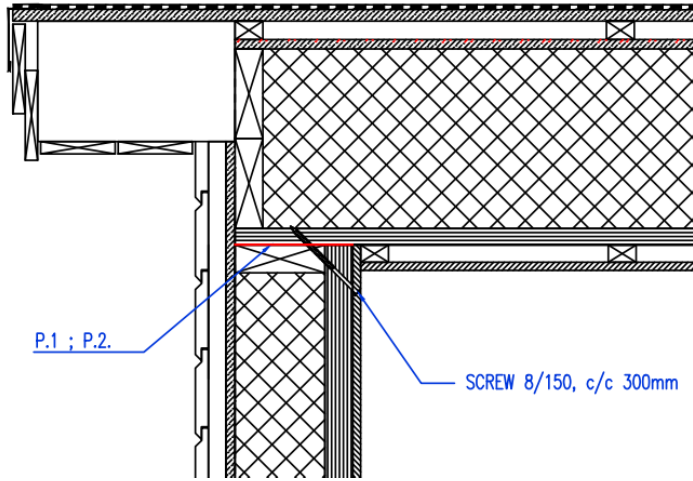
Version C – with rubber sealing ribbon and PU gun-foam (drawing below)



- b. Install roof panels according to the drawings – panels are numbered.

- c. Suggestion for installation order

NOTE! Use always your own best practice and follow local building standards if facing any contradictions.



6. Taping

Tape all panel connections with wind sealant tape from outside.

7. Tools & equipment needed for installation

Site check

- Check that you have sufficient place for unloading and stocking and for crane positioning
- Have some timber beams and veneer boards for unloading; placing under panel stacks etc

Heavy Equipment

- Crane - max 1000 kg (usually); double check for your project
- Truck (4x4) or similar to pull out panels from containers (if transported in sea containers)

People

Depending on project, but for example up to 400 m² building

- 4 persons per house - 1 unloading, 2 installing, 1 fixing screws
- 1 person on crane

Tools

- Laser level for foundation and sole plate check, checking diagonals etc.
- Laser meter
- Cordless drills, 4 pcs per team
- Sharp knives for cutting lifting slings
- Gun foams and foam guns for it
- Stapler for rubber sealant between panels
- Sledge hammer
- Hammers
- Crowbars 2 or 3 different sizes
- Ladder min 3 m, 2 pcs
- Mobile scaffolding, 3 m wide
- Supporting poles, telescope for walls or timber beams (min length 5 m)
- Chainsaw
- Saw