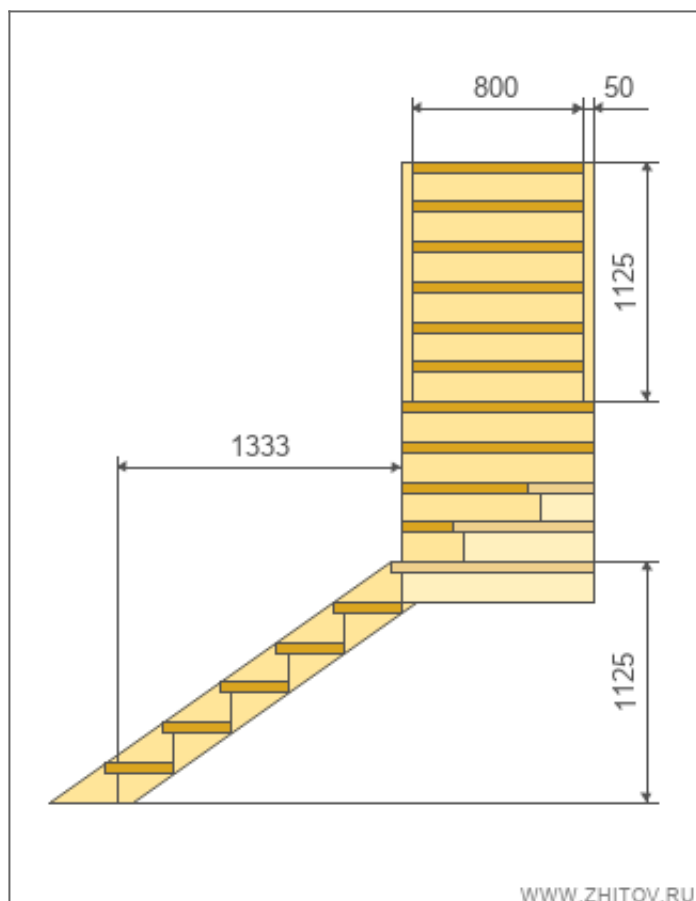
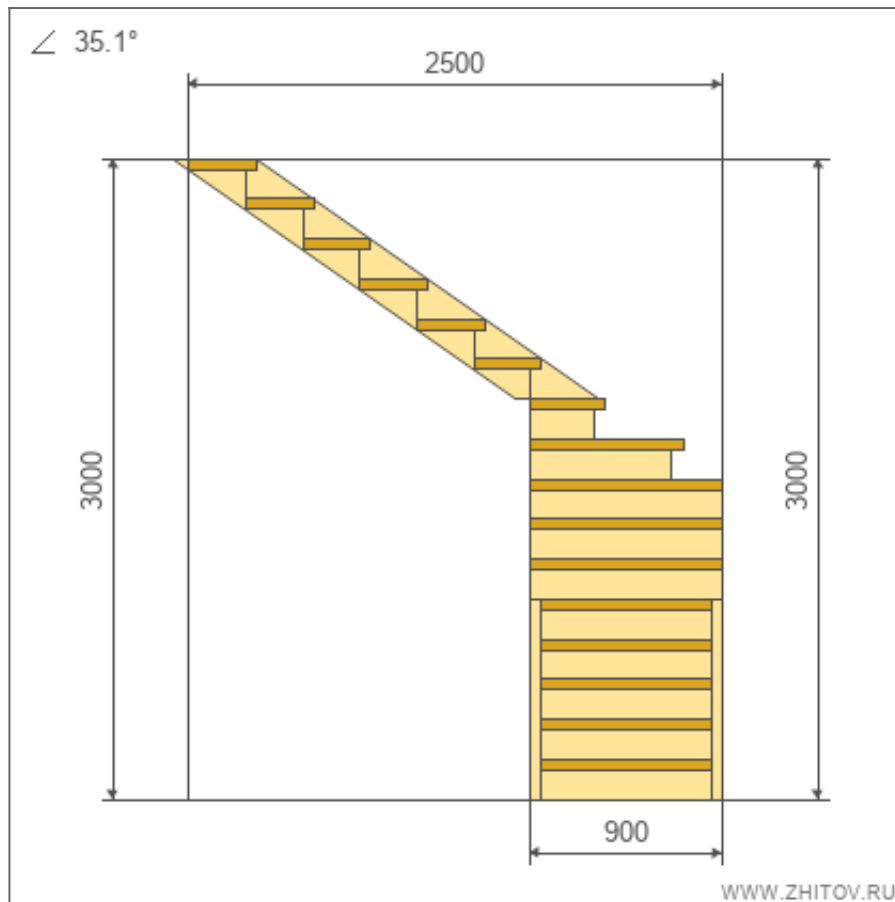
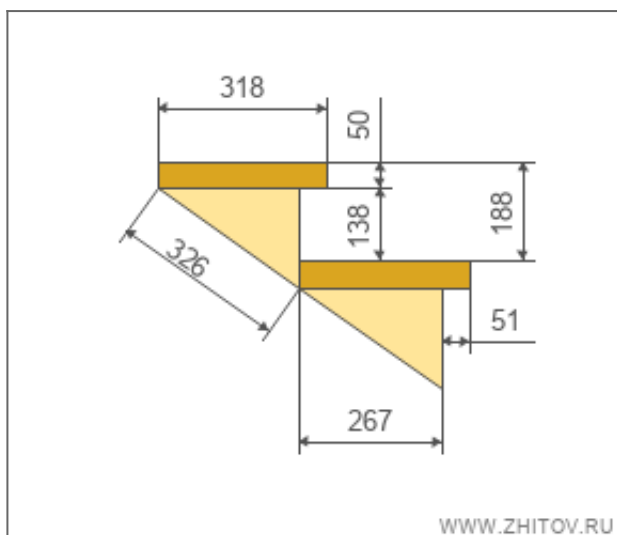
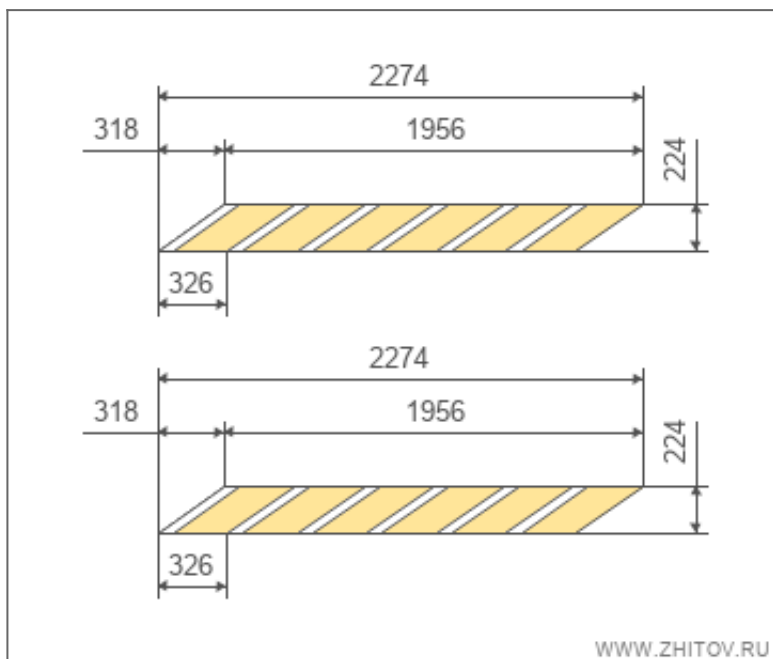
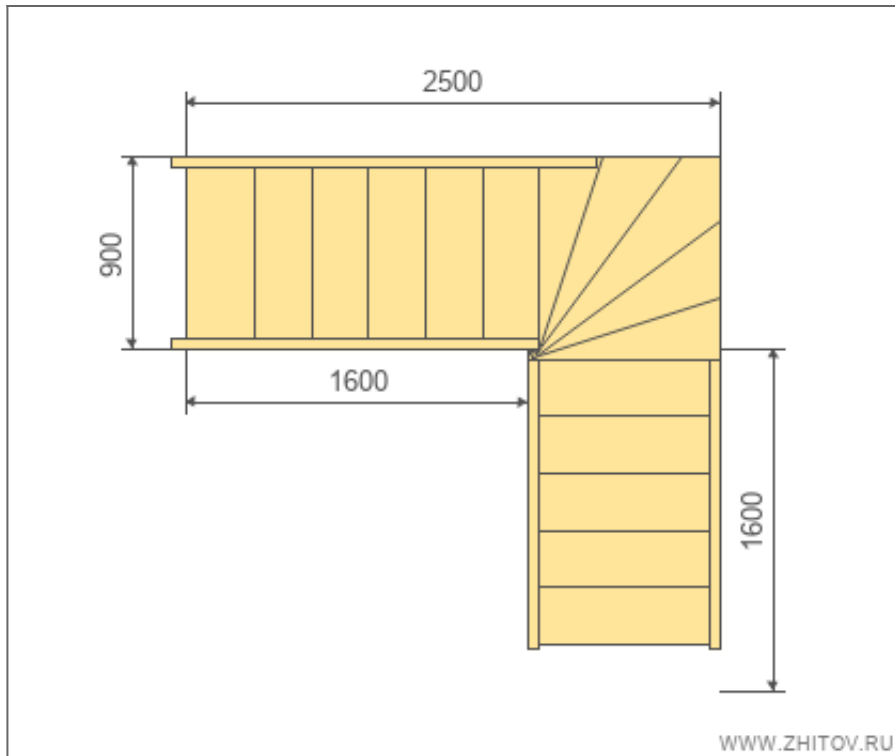
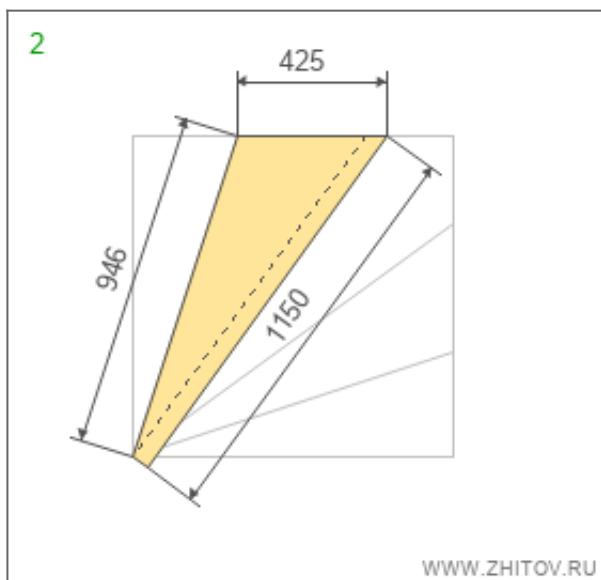
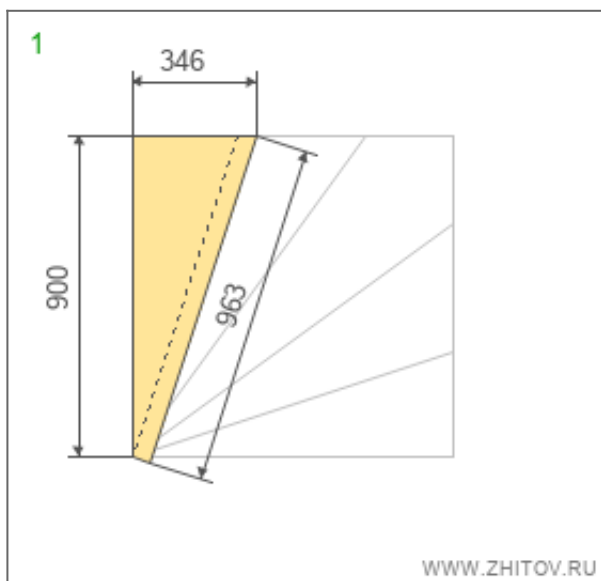
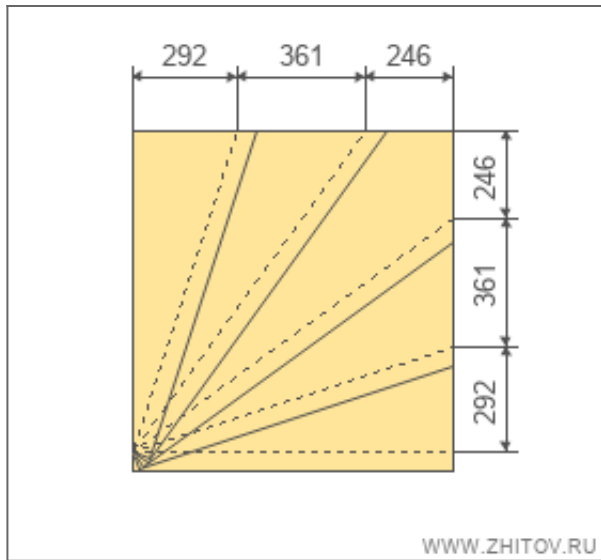


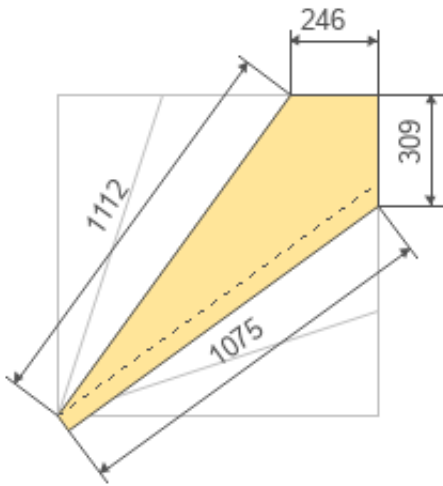
# Calculation of the stairs with a pivoting steps of 90°





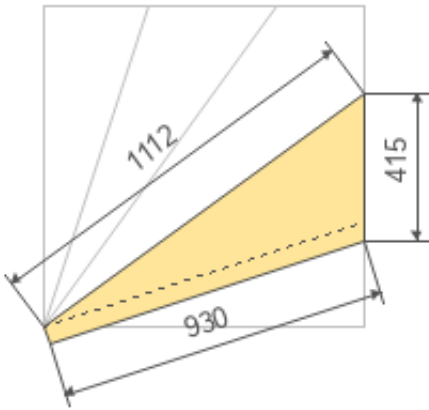


3



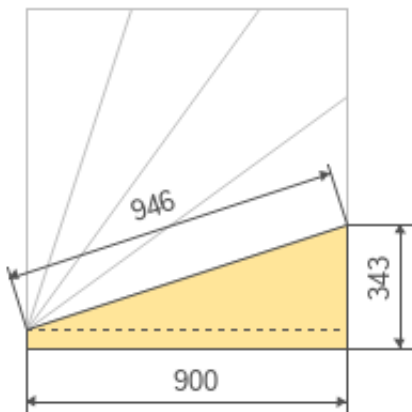
WWW.ZHITOV.RU

4



WWW.ZHITOV.RU

5



WWW.ZHITOV.RU



## Recommendations

Match formula facilities

Sufficient depth of step

Convenient staircase inclination  $35.1^\circ$

Comfortable ladder

## Initial data

Lift 3000 mm

The length of the stairwells in the plan 2500 mm

Width of the track 900 mm

Number of stages of 16

Rotary stages 5

Prior to turning steps 5

The thickness of the steps 50 mm

Ledge steps 51 mm

## Step size

Step height 188 mm

Depth steps 318 mm

The height of risers 138 mm

Interior angle rotary stages  $18^\circ$

## Stringer

The length of the front of the upper bowstring 1956 mm

The length of the upper bowstring full 2274 mm

The length of the front of the bottom Stringer 1956 mm

The length of the bottom Stringer full 2274 mm

The thickness of a bowstring 224 mm

Distance on the string between the gash under the stage 326 mm

The angle of the stairs  $35.1^\circ$  from the floor